

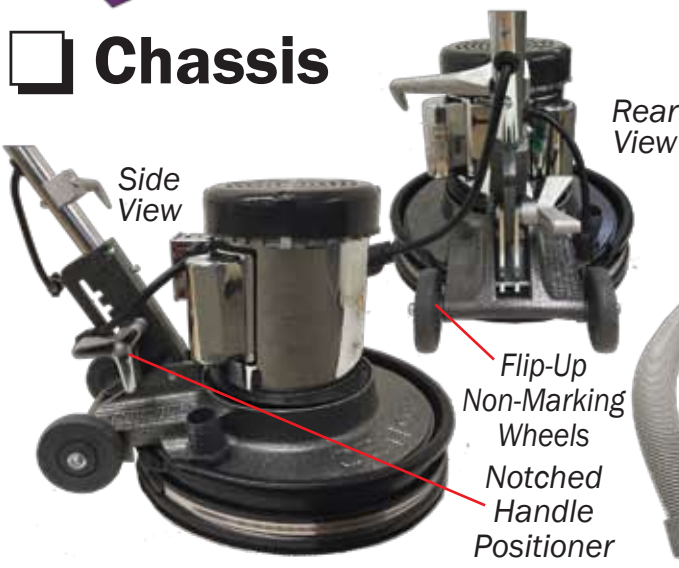


Xtreme II

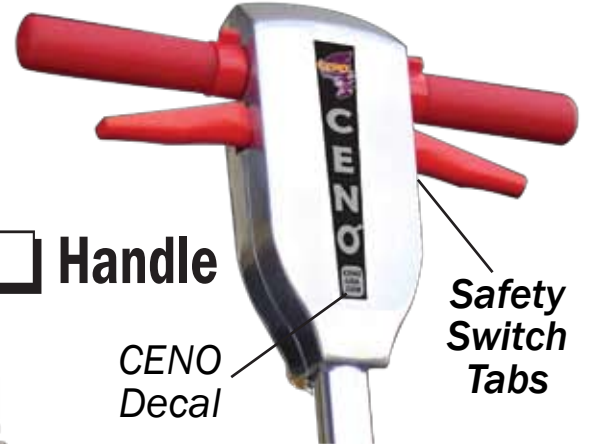
BUILT NOVEMBER 2017 AND LATER

16"/20"

Chassis



Handle



- 17" 178 RPM w/DUST CONTROL **CX200**
- 17" 178 RPM 240v w/DUST CONTROL **CX210**
- 17" 2SP 178/330 RPM 240v W/DUST CONTROL **CX220**
- 17" 178 RPM 120v NO DUST CONTROL **CX230**
- 20" 178 RPM 120v W/DUST CONTROL **CX240**
- 20" 178 RPM 240v NO DUST CONTROL **CX250**
- 20" 178 RPM 120v NO DUST CONTROL **CX260**
- 20" 2SP 178/330 RPM 240v W/DUST CONTROL **CX270**

Dust Control

- Dust Kit 16" w/Dust Ring & Pad Driver**
Pad Driver • Handle Hose Adapter
Floating Dust Ring • Port & Nut **CM657**
- Dust Kit 16" w/Dust Skirt & Pad Driver**
Pad Driver • Handle Hose Adapter
Dust Skirt • Port & Nut **CM502**
- Dust Kit 16" w/Dust Ring & Sandpaper Driver**
Sandpaper Driver • Handle Hose Adapter
Floating Dust Ring • Port & Nut **CM653**
- Dust Kit 16" w/Dust Skirt & Sandpaper Driver**
Sandpaper Driver • Handle Hose Adapter
Dust Skirt • Port & Nut **CM507**



Fan and vents on top, chrome case with CENO cyclone logo

Motor

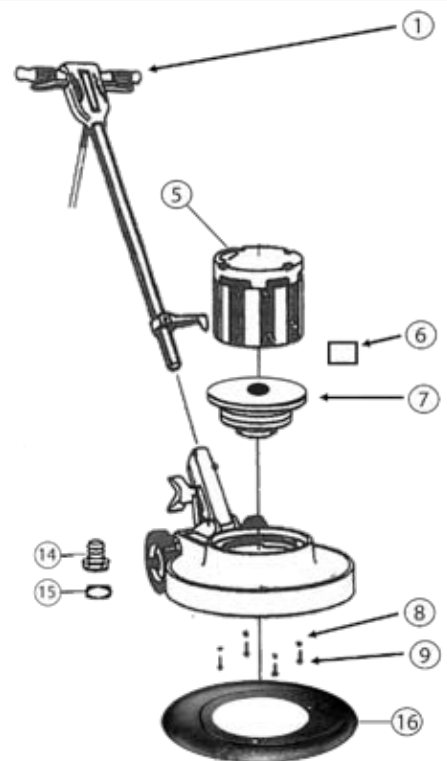


CENO GROUP • 12221 Carlsbad St., Houston, TX 77085 • 800-710-2366 • Fax: 713-551-8456 • sales@ceno-usa.com

For easier and faster ordering, please verify your model by checking the above pictures.

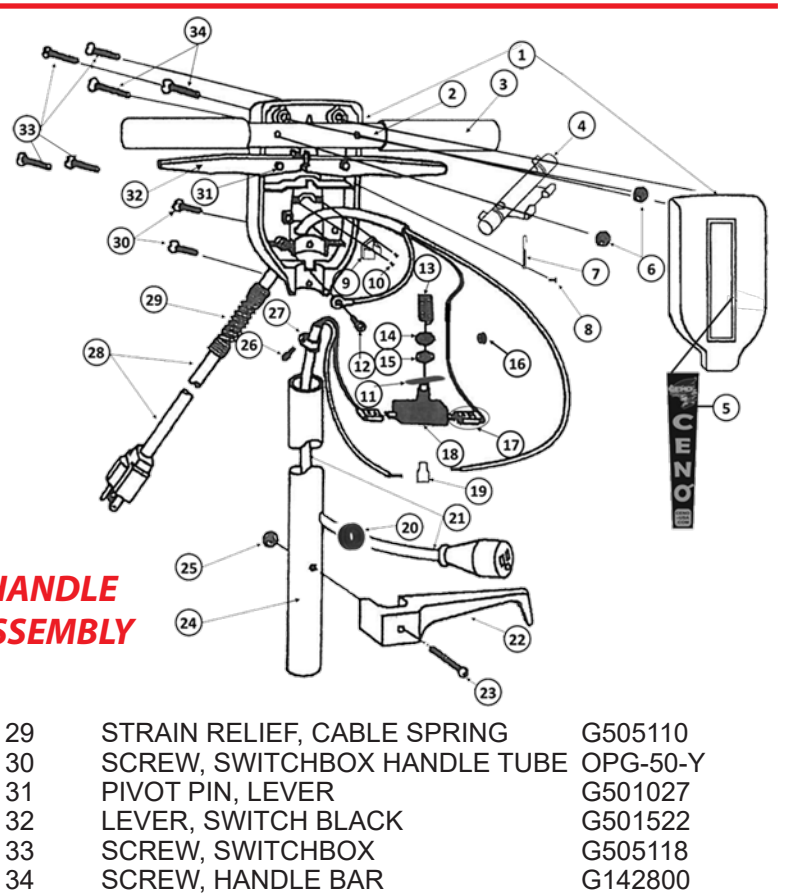
ITEM #	DESCRIPTION	PART #
1	HANDLE ASSEMBLY	G500090
5	MOTOR ONLY	CM1000
MOTOR PARTS		
	FAN COVER	KD-980650
	FAN	KD-980651
	START CAPACITOR	KD-911320
	RUN CAPACITOR	KD-911321
	CAPACITOR COVER (CHROME)	OPMSCAP-1
6	LABEL MOTOR	LABEL-MOTOR
7	TRANSMISSION/BELL ASSEMBLY	KD-0522105
7A	TRANSMISSION 6:1	OPG-96007
8	WASHER	OPB-96W
9	BOLT	OPB-96
	DRIP CAP MOUNTING SCREW	OPB-151
	MOTOR COVER	CM1015
14	VACUUM PORT	KD-482401
15	VAC PORT NUT	KD-920629
16	VACUUM PLATE 16"	XM282

MACHINE ASSEMBLY



ITEM #	DESCRIPTION	PART #
1	SWITCHBOX, FRONT AND BACK	G501044
2	HANDLE BAR	G501028
3	GRIP, HANDLE RED	G505188
4	LEVER, SAFETY RED	G505185
5	CENO DECAL, SWITCHBOX PL	G147192
6	NUT, LOCK WITH NYLON INSERT	G501054
7	SPRING, SAFETY SWITCH	G505182
8	SCREW, SPRING	G201600
9	STRAIN RELIEF, CABLE	G505189
10	SCREW, STRAIN RELIEF CABLE	G505190
11	WASHER, SWITCH, LOWER	G505178
12	SCREW, GROUND	G201600
13	SPRING, SWITCH	G505162
14	NUT, SWITCH BRASS	G505172
15	WASHER, SWITCH	G505173
16	PLUG, SWITCHBOX	G505193
17	TERMINAL, INSULATED FEMALE RIGHT ANGLE	OPG-48
18	ON-OFF SWITCH AND PLATE ASSEMBLY	OPG-30-AB
19	CRIMP CONNECTOR, INSULATED	KM804
20	GROMMET, RUBBER HANDLE TUBE	G201227
21	WIRE, TUBE ASSEMBLY BLACK	OPG-16
22	CABLE HOOK	G501071
23	SCREW, CABLE HOOK	G114280
24	HANDLE TUBE, CHROME	G501080
25	NUT, LOCK WITH NYLON INSERT	G501054
26	SCREW, STRAIN RELIEF	G505804
27	CABLE CLAMP	G505146
28	CABLE, HEAVY DUTY 50' YELLOW	G605032

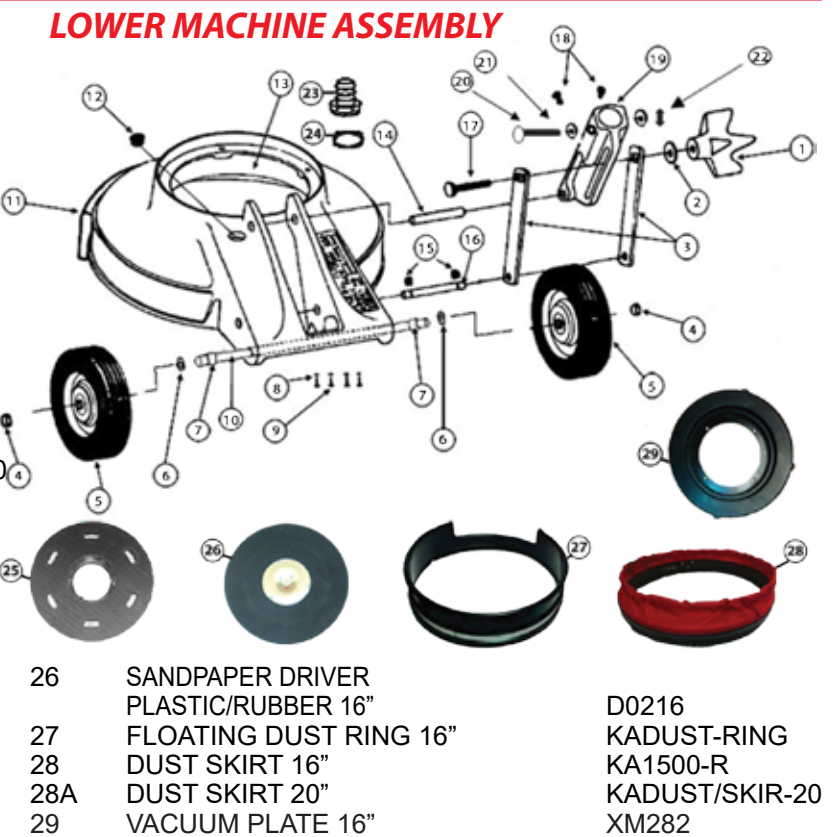
HANDLE ASSEMBLY



29	STRAIN RELIEF, CABLE SPRING	G505110
30	SCREW, SWITCHBOX HANDLE TUBE	OPG-50-Y
31	PIVOT PIN, LEVER	G501027
32	LEVER, SWITCH BLACK	G501522
33	SCREW, SWITCHBOX	G505118
34	SCREW, HANDLE BAR	G142800
	HANDLE ASSEMBLY COMP.	G500090

ITEM #	DESCRIPTION	PART #
1	KNOB, HANDLE ADAPTOR LARGE	G505127
2	WASHER, HANDLE ADAPTOR	G505131
3	HANDLE ADAPTOR LINK	G160532
4	NUT, RUBBER WHEEL AXLE	G125048
5	WHEEL, SOLID GRAY 4"	G165533
6	WASHER, WHEEL BRACKET MOUNTING	G505030
7	FLANGE	G165515
8	WASHER, MOTOR MOUNTING	G201430
9	BOLT, MOTOR MOUNTING	G201420
10	AXLE, REAR FIXED WHEELS	G201236
11	BUMPER, RED 16"	G161505
11A	BUMPER, RED 20"	G201505
12	PLUG, BLACK APRON 7/8"	G145050
13	APRON, BLACK 16" XTREME	GXBASE-B
13A	APRON, BLACK 20" XTREME	GXBASE-B20
14	PIVOT PIN, HANDLE ADAPTOR	G160514
15	SNAP RING	G160513
16	PIVOT PIN, HANDLE ADAPTOR LINK	G160512
17	SCREW, HANDLE KNOB LARGE	G160533
18	SCREW, HANDLE KNOB LARGE	G101510
19	HANDLE ADAPTOR WITH BOLT	G160556
20	SCREW, CABLE HOOK	G114280
21	NEOPRENE WASHER HANDLE ADAPTOR	G201428
22	NUT, WING FOR CENO HANDLE	G125053
23	VACUUM PORT	KD-482401
24	VAC PORT NUT	KD-920629
25	DELUXE PAD DRIVER 16"	D0116

LOWER MACHINE ASSEMBLY



26	SANDPAPER DRIVER	D0216
27	PLASTIC/RUBBER 16"	KA1500-R
28	FLOATING DUST RING 16"	KADUST/SKIR-20
28A	DUST SKIRT 16"	XM282
29	VACUUM PLATE 16"	

CENO GROUP • 12221 Carlsbad St., Houston, TX 77085 • 800-710-2366 • Fax: 713-551-8456 • sales@ceno-usa.com