

Xtreme

FOR MACHINES BUILT 2011 AND LATER

Chassis

Vac Hose Port



Side View



Rear View

17" 178 RPM w/DUST CONTROL
17" 178 RPM NO DUST CONTROL
20" 178 RPM w/DUST CONTROL
20" 178 RPM NO DUST CONTROL

KEXT-DISC
KEXTBUF
KEXT-DISC-20
KEXTBUF-20

Yellow Safety Lever

Handle
"Tear Drop" style

Dust Control

CM500

Sandpaper Driver
Handle Hose Adapter
Floating Dust Ring
Port & Nut



CM501

Pad Driver
Handle Hose Adapter
Floating Dust Ring
Port & Nut



Totally Enclosed,
fan on top,
sealed case

Motor



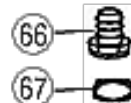
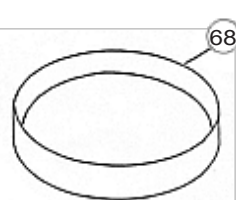
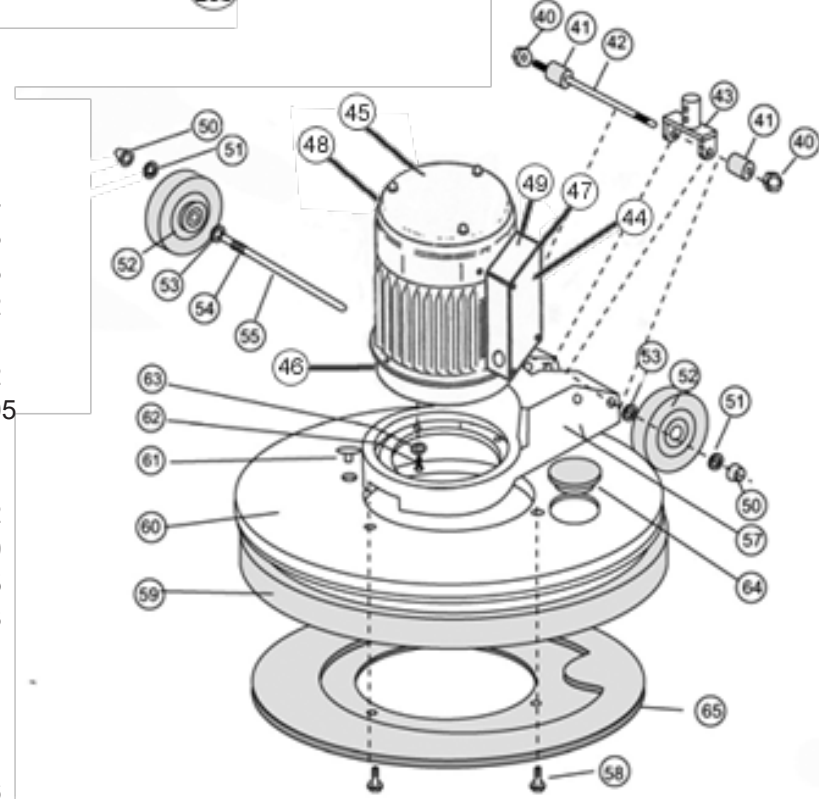
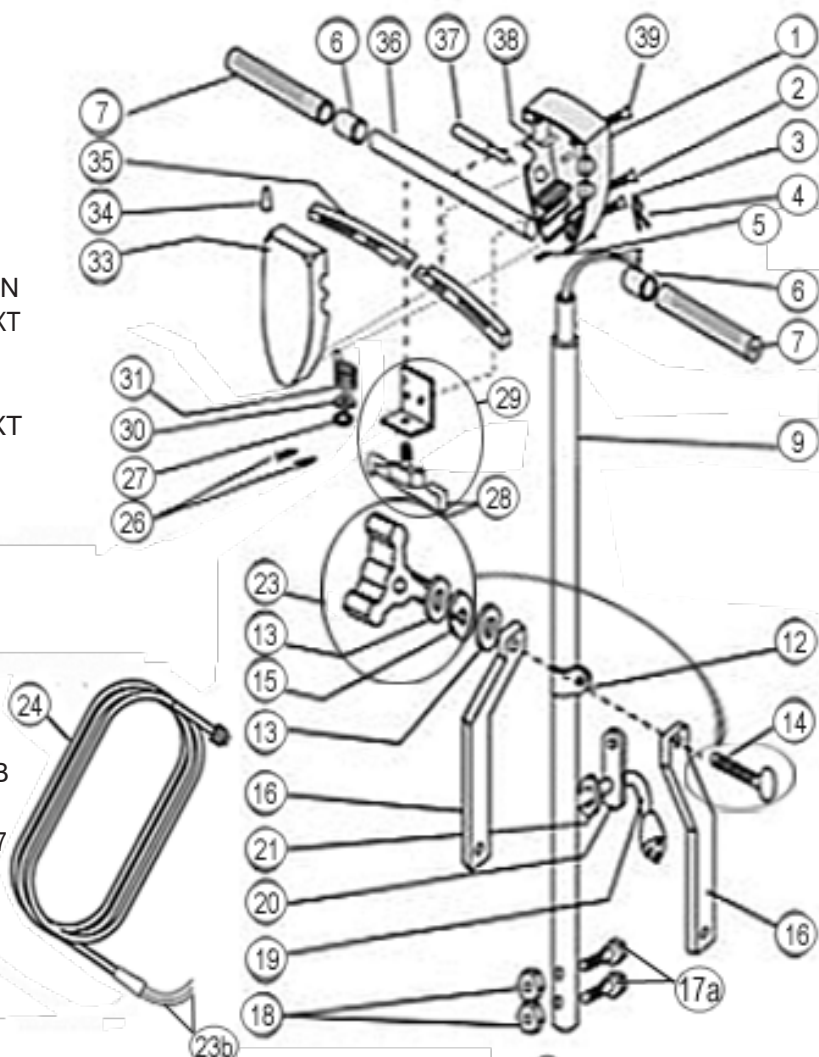
CENO GROUP • 12221 Carlsbad St., Houston, TX 77085 • 800-710-2366 • Fax: 713-551-8456 • sales@floorsanding.com

For easier and faster ordering, please verify your model by checking the above pictures.

ITEM #	DESCRIPTION	PART #
1	SWITCH BOX BACK	OPA-104
2	HANDLE TUBE SCREW	OPB-23
3	SWITCH BOX CLOSING SCREW	OPB-21
4	STRAIN RELIEF CLIP	OPM-213
	STRAIN RELIEF COMPLETE	OPG-66P
5	GROUND WIRE SCREW	OPB-68
6	RUBBER SPACER	OPM-218Y
7	HAND GRIP	OPM-218CN
9	HANDLE TUBE EXTREME	OPM-206-EXT
12	SLIDING COLLAR	KD-502021
16	BENT BRACE	OPM-216
17A	YOKE BOLT	OPB-18-EXT
18	YOKE NUT	OPB-19
19	HANDLE TUBE CABLE	OPG-16
20	BLACK RUBBER CABLE CONNECTOR	OPM-249
21	CABLE GROMMET	OPB-63
23	KNOB KIT (INC 23, 13, 14, 15)	OP-CCA-1
24	50' POWER CABLE 14/3 YELLOW	OPG-14-50-Y
26	SWITCH PLATE SCREW	OPB-1
27	INT. TOOTH LOCK WASHER	OPB-35
28	INSULATED FLAG WIRE CONNECTOR	OPG-48
29	ON-OFF SWITCH AND PLATE ASSEMBLY	OPG-30-AB
30	LOCK WASHER	OPB-33
31	TRIGGER RETURN SPRING	OPG-30-CT057
33	SWITCH BOX FRONT	OPA-103
34	WIRE CONNECTOR	OPG-47
35	TRIGGER	OPA-105
36	16" CROSSBAR	OPM-212
37	SAFETY INTERLOCK ASSEMBLY	OPSA-1
38	TRIGGER PINS	OPB-70
39	CROSSBAR SCREW	OPB-22
40	ACORN NUT FOR YOKE PIN	OPB-8
41	RUBBER YOKE SPACER	OPB-5
42	YOKE PIN	OPB-70
43	YOKE	OPA-1001
44	CAPACITOR BOX COVER	KD-482304
45	DRIP COVER	KD-482303
46	GEAR ASSY COMPLETE	KD-503523
47	CAPACITOR BOX COVER GASKET	KD-483402

MOTOR PARTS

48	MOTOR COMPLETE	KD-485202
	TRANSMISSION	KD-0522105
	STATOR ASSY	KD-483101
	ROTOR ASSY	KD-480401
	STEEL COUPLING	KD-502402
	CORD ASSY	KD-908090
	ENDPLATE	KD-506605
	THRU-BOLTS	KD-960038
	EXTERNAL FAN	KD-483001
	RUN CAPACITOR	OPM-1119
	START CAPACITOR	OPM-1118
	SINPAC SWITCH	KD-911285
49	CAPACITOR BOX	KD-483306
50	HUB CAPS	OPV0038
51	SPRING WASHER	OPB-51
52	5" DOUBLE WIDE WHEELS	KD-489702
53	1/2" FLAT WASHER	OPB-29
54	SPRING, AXLE	OPB-30
55	13.5" AXLE FOR 5" DOUBLE WIDE WHEELS	OPM-219
57	MAIN MACHINE FRAME	OPA-166
58	APRON MOUNTING SCREW	OPB-96
58a	WASHER	OPB-96W
58b	LOCK WASHER	OPB-32
59	BUMPER 17" SPECIFY COLOR	OPM-232-17
	BUMPER 20" SPECIFY COLOR	OPM-232-21
60	APRON 17" CHROME	OPA-169
	APRON 20"	OPA-172
61	SCRUBBER PLUG	OPB-50
62	MOTOR MOUNTING SCREW	OPB-95
63	SPLIT WASHER	OPB-32



64	APRON PLUG 2"	OPM-218
65	DEFLECTOR PLATE	CM276
66	VACUUM PORT	KD-482401
67	VAC PORT NUT	KD-920629
	HANDLE HOSE ADAPTER (NOT SHOWN)	KA109
	DELUXE PAD DRIVER (NOT SHOWN)	D0116
68	FLOATING DUST RING	KAVACRING

**Handle Assembly Complete w/Yoke
for Xtreme Machines**

New **OPM-208-XT**

Refurbished **OPM-208-EXCH**



CENO GROUP • 12221 Carlsbad St., Houston, TX 77085 • 800-710-2366 • Fax: 713-551-8456 • sales@floorsanding.com