



VARIABLE SPEED Floor Machine



17"

VS100

Variable Speed
Control



Handle

CENO
Decal

Safety
Switch
Tabs

Dust Control



CM271

Vacuum Plate
Buffer Handle Hose Adapter
Floating Dust Ring
Port & Nut



Motor

Red
Bumper

Chrome Apron
Black Top

Variable Speed Motor
with Ventilation Holes



CENO GROUP • 12221 Carlsbad St., Houston, TX 77085 • 800-710-2366 • Fax: 713-551-8456 • sales@floorsanding.com

For easier and faster ordering, please verify your model by checking the above pictures.

MACHINE ASSEMBLY

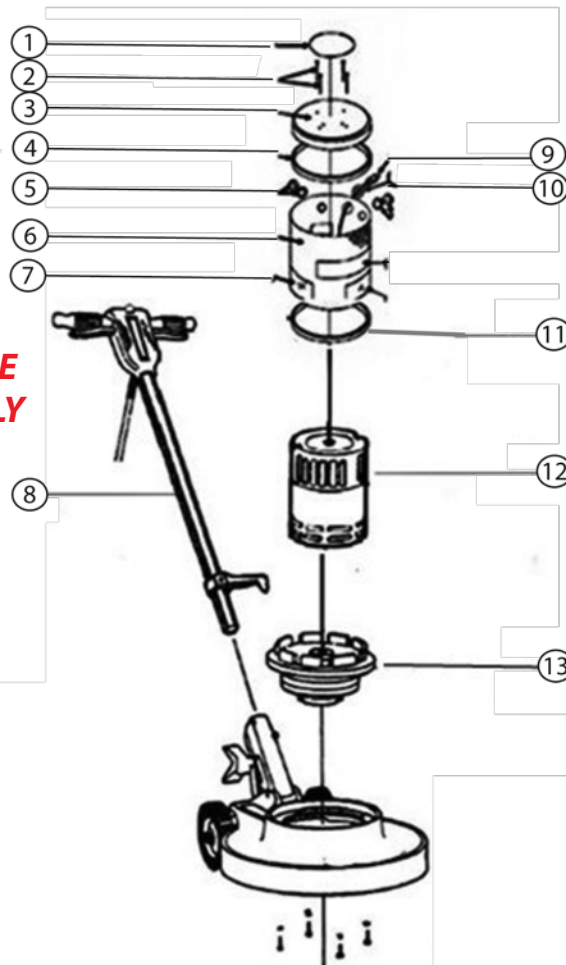
ITEM #	DESCRIPTION	PART #
1	CENTER INSERT, CANOPY BLACK	G201205
2	SCREW, CANOPY PLASTIC	G201300
3	CANOPY, MOTOR BLACK ROUND	G201204
4	GASKET, MOTOR ROUND	G400685
5	LIGHT W/SPEED NUT	G201265
6	MOTOR COVER, PERFORATED	G201306
7	DECAL, WARNING	G145125
8	HANDLE ASSEMBLY	G500052
9	MOTOR LEAD	G201247
10	GROMMET, RUBBER MOTOR SCREEN	G201303
11	MOTOR COVER GASKET	G400685
12	MOTOR ASSEMBLY	G201115
13	TRANSMISSION ASSEMBLY	G131330

HANDLE ASSEMBLY

ITEM #	DESCRIPTION	PART #
1	SWITCHBOX, FRONT AND BACK	G501044
2	HANDLE BAR	G501028
3	GRIP, HANDLE RED	G505188
4	LEVER, SAFETY RED	G505185
5	CENO DECAL, SWITCHBOX PL	G147192
6	NUT, LOCK WITH NYLON INSERT	G501054
7	SPRING, SAFETY SWITCH	G505182
8	SCREW, SPRING	G201600
9	STRAIN RELIEF, CABLE	G505189
10	SCREW, STRAIN RELIEF CABLE	G505190
11	WASHER, SWITCH, LOWER	G505178
12	SCREW, GROUND	G201600
13	SPRING, SWITCH	G505162
14	NUT, SWITCH BRASS	G505172
15	WASHER, SWITCH	G505173
16	CIRCUIT BREAKER FOR 110 VOLT	G505201
17	BOOT, CLEAR CIRCUIT BREAKER	G505204
18	WIRE, HARNESS ASSEMBLY SWITCHBOX	G505560
19	TERMINAL, INSUL. FEMALE RIGHT ANGLE	G505203
20	SWITCH, 120 VOLT	G505170
21	CRIMP CONNECTOR, INSULATED	G505168
22	GROMMET, RUBBER HANDLE TUBE	G201227
23	WIRE, TUBE ASSEMBLY BLACK	G505160
24	CABLE HOOK	G501071
25	SCREW, CABLE HOOK	G114280
26	HANDLE TUBE, CHROME, SAFETY SWITCH BOX	G501080
27	NUT, LOCK WITH NYLON INSERT	G501054
28	SCREW, STRAIN RELIEF	G505804
29	CABLE CLAMP	G505146
30	CABLE, HEAVY DUTY 50' YELLOW	G605032
31	STRAIN RELIEF, CABLE SPRING	G505110
32	SCREW, SWITCHBOX HANDLE TUBE	G505412
33	PIVOT PIN, LEVER	G501027
34	LEVER, SWITCH RED	G501524
35	SCREW, SWITCHBOX	G505118
36	SCREW, HANDLE BAR	G142800
37	VARIABLE SPEED CONTROL	G505211
38	RETAINER PUSH-ON	G135475
39	CONTROL BOX KNOB	G505183
40	DECAL, GVS SWITCHBOX RPM	G505250
41	WASHER, SPEED CONTROL	G505177
	HANDLE ASSEMBLY COMP.	G500090CENO

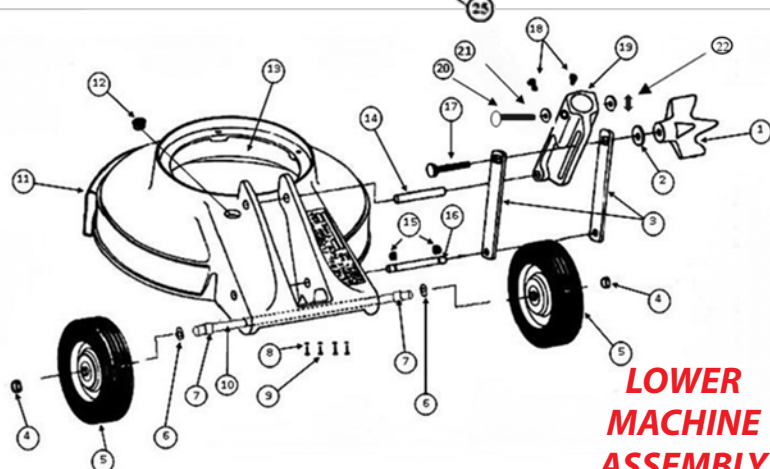
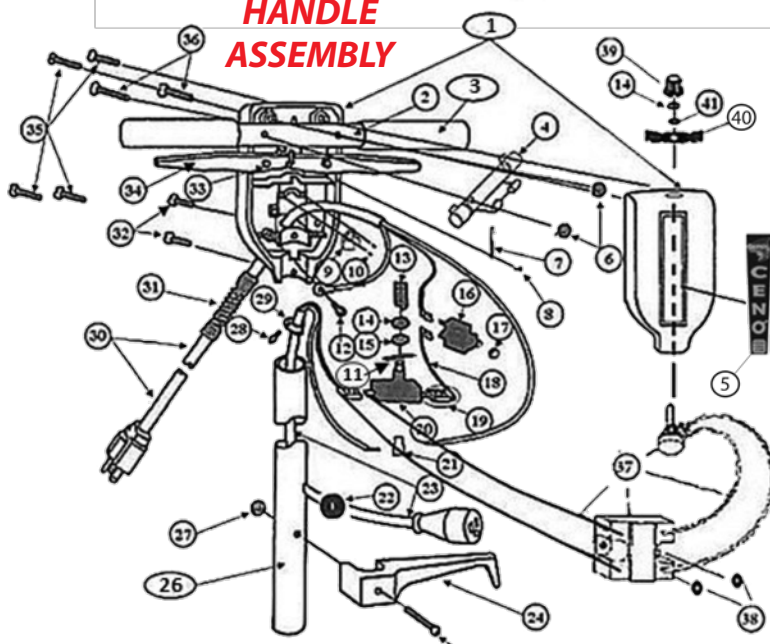
LOWER MACHINE ASSEMBLY

ITEM #	DESCRIPTION	PART #
1	KNOB, HANDLE ADAPTOR LARGE	G505127
2	WASHER, HANDLE ADAPTOR	G505131
3	HANDLE ADAPTOR LINK	G160532
4	NUT, RUBBER WHEEL AXLE	G125048
5	WHEEL, SOLID GRAY 4"	G165533
6	WASHER, WHEEL BRACKET MOUNTING	G505030
7	FLANGE	G165515
8	WASHER, MOTOR MOUNTING	G201430
9	BOLT, MOTOR MOUNTING	G201420
10	AXLE, REAR FIXED WHEELS	G201236



MACHINE ASSEMBLY

HANDLE ASSEMBLY



LOWER MACHINE ASSEMBLY

11	BUMPER 17" RED	G161505
12	PLUG, CHROME APRON 7/8"	G145004
13	APRON, 17" POLISHED CENO	G170500
14	PIVOT PIN, HANDLE ADAPTOR	G160514
15	SNAP RING	G160513
16	PIVOT PIN, HANDLE ADAPTOR LINK	G160512
17	SCREW, HANDLE KNOB LARGE	G160533
18	SCREW, HANDLE KNOB LARGE	G101510
19	HANDLE ADAPTOR WITH BOLT	G160556
20	SCREW, CABLE HOOK	G114280
21	NEOPRENE WASHER HANDLE ADAPTOR	G201428
22	NUT, WING FOR CENO HANDLE	G125053



CENO GROUP • 12221 Carlsbad St., Houston, TX 77085 • 800-710-2366 • Fax: 713-551-8456 • sales@floorsanding.com