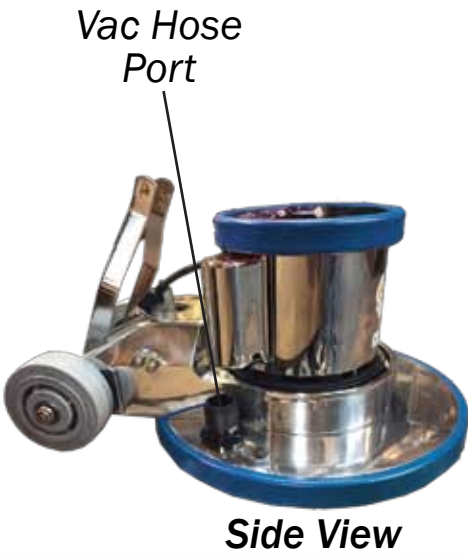
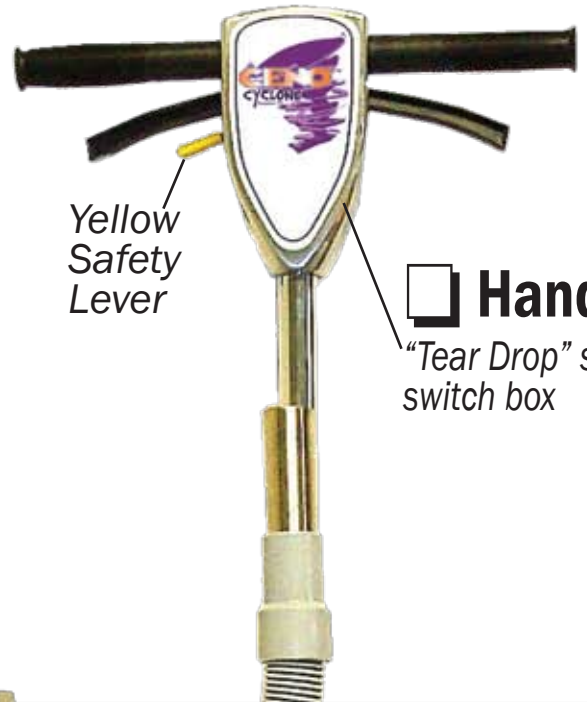


Chassis



Kick Lever



Dust Control



CM271
Vacuum Plate
Handle Hose Adapter
Floating Dust Ring
Port & Nut



CM500
Sandpaper Driver
Handle Hose Adapter
Floating Dust Ring
Port & Nut



CM501
Pad Driver
Handle Hose Adapter
Floating Dust Ring
Port & Nut

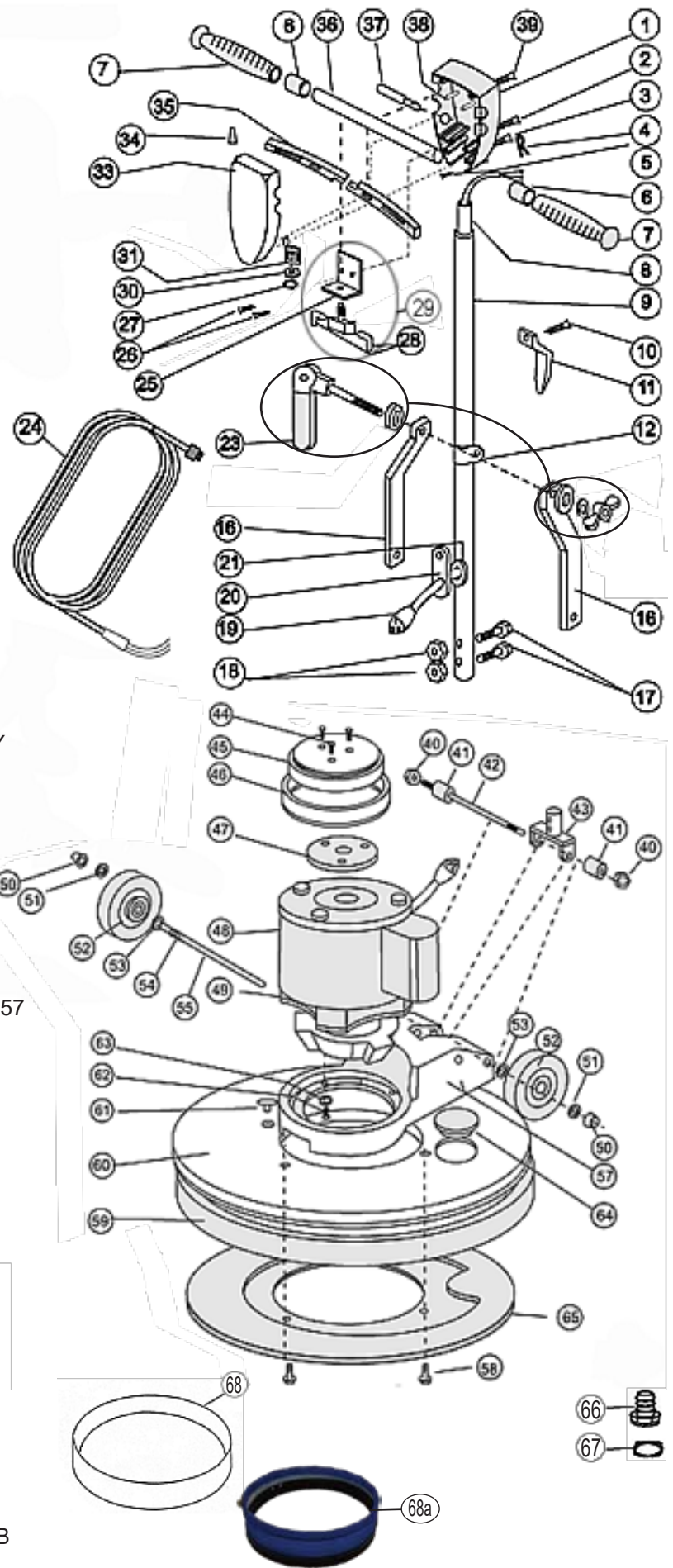


CENO GROUP • 12221 Carlsbad St., Houston, TX 77085 • 800-710-2366 • Fax: 713-551-8456 • sales@floorsanding.com

For easier and faster ordering, please verify your model by checking the above pictures.

ITEM #	DESCRIPTION	PART #
1	SWITCH BOX BACK	OPA-104
2	HANDLE TUBE SCREW	OPB-23
3	SWITCH BOX CLOSING SCREW	OPB-21
4	STRAIN RELIEF CLIP	OPM-213
	STRAIN RELIEF COMPLETE	OPG-66P
5	GROUND WIRE SCREW	OPB-68
6	RUBBER SPACER	OPM-218Y
7	HAND GRIP	OPM-218CN
8	HANDLE TUBE INSERT	OPM-247
9	HANDLE TUBE ASSEMBLY	OPM-206
9a	HANDLE COMPLETE	CM207
10	CABLE HOOK SCREW	OPB-2
11	CABLE HOOK	OPA-164
12	SLIDING COLLAR	OPA-111
16	BENT BRACE	OPM-216
17	YOKE BOLT	OPB-18A
18	YOKE NUT	OPB-19
19	HANDLE TUBE CABLE	OPG-16
20	BLACK RUBBER CABLE CONNECTOR	OPM-249
21	CABLE GROMMET	OPB-63
23	COMPLETE CAM ASSEMBLY	OP-CCA
24	50' POWER CABLE 14/3 YELLOW	OPG-14-50-Y
25	SWITCH MOUNTING PLATE	OPG-30-B
26	SWITCH PLATE SCREW	OPB-1
27	INT. TOOTH LOCK WASHER	OPB-35
28	INSULATED FLAG WIRE CONNECTOR	OPG-48
29	ON-OFF SWITCH AND PLATE ASSEMBLY	OPG-30-AB
29a	ON-OFF SWITCH FOR 220V MOTOR	OPG-30-2PL
30	LOCK WASHER	OPB-33
31	TRIGGER RETURN SPRING	OPG-30-CT057
33	SWITCH BOX FRONT	OPA-103
34	WIRE CONNECTOR	OPG-47
35	TRIGGER	OPA-105
36	16" CROSSBAR	OPM-212
37	SAFETY INTERLOCK ASSEMBLY	OPSIA-1
38	TRIGGER PINS	OPB-70
39	CROSSBAR SCREW	OPB-22
40	ACORN NUT FOR YOKE PIN	OPB-8
41	RUBBER YOKE SPACER	OPB-5
42	YOKE PIN	OPB-70
43	YOKE	OPA-1001
44	DRIP CAP MOUNTING SCREW	OPB-151
45	66 FRAME DRIP CAP COVER	OPM-242
46	UPPER BUMPER - BLUE	OPM-239B
47	CORK DRIP CAP GASKET	OPM-248
48	MOTOR 66 FRAME 1.5HP / 10:1 TRANS	OPMOTOR/GB
	START CAPACITOR	KD-911304
	RUN CAPACITOR	KD-911321
	CAPACITOR COVER (CHROME)	OPMSCAP-1
49	GEAR BOX 11:1 TRIPLE PLANETARY	KD-503536
	FOR 178 RPM	
50	HUB CAPS	OPV0038
51	SPRING WASHER	OPB-51
52	5" DOUBLE WIDE WHEELS	KD-489702
53	1/2" FLAT WASHER	OPB-29
54	SPRING, AXLE	OPB-30
55	13.5" AXLE FOR 5" DOUBLE WIDE	OPM-219
	WHEELS	
56	MOTOR LABEL	CALL
57	MAIN MACHINE FRAME	OPA-166
58	APRON MOUNTING SCREW	OPB-96

Enclosed motor with 3 holes and blue bumper at top



59	BUMPER 17" SPECIFY COLOR	OPM-232-17
60	APRON 17"	OPA-169
60a	APRON 16"	OPAX-16
61	SCRUBBER PLUG	OPB-50
62	MOTOR MOUNTING SCREW	OPB-95
63	SPLIT WASHER	OPB-32
64	APRON PLUG 2"	OPM-218
DUST CONTROL PARTS:		
65	DEFLECTOR PLATE 17"	CM276
65a	DEFLECTOR PLATE 16"	XM200
66	VACUUM PORT	KD-482401
67	VAC PORT NUT	KD-920629
	HANDLE HOSE ADAPTER (NOT SHOWN)	KA109
	DELUXE PAD DRIVER (NOT SHOWN)	D0116
68	FLOATING DUST RING 17"	KAVACRING
68A	DUST SKIRT 16-17"	KA1500