

CENO CYCLONE Pac Vac

Pac Vac
VECENOPACMULE

HEPA Pac Vac
VEPACVAC-H



Rear View



Lid

Two latches attach the lid to the base. 5.5' of hose attached. Body design differs slightly from our other back pack vacuums.



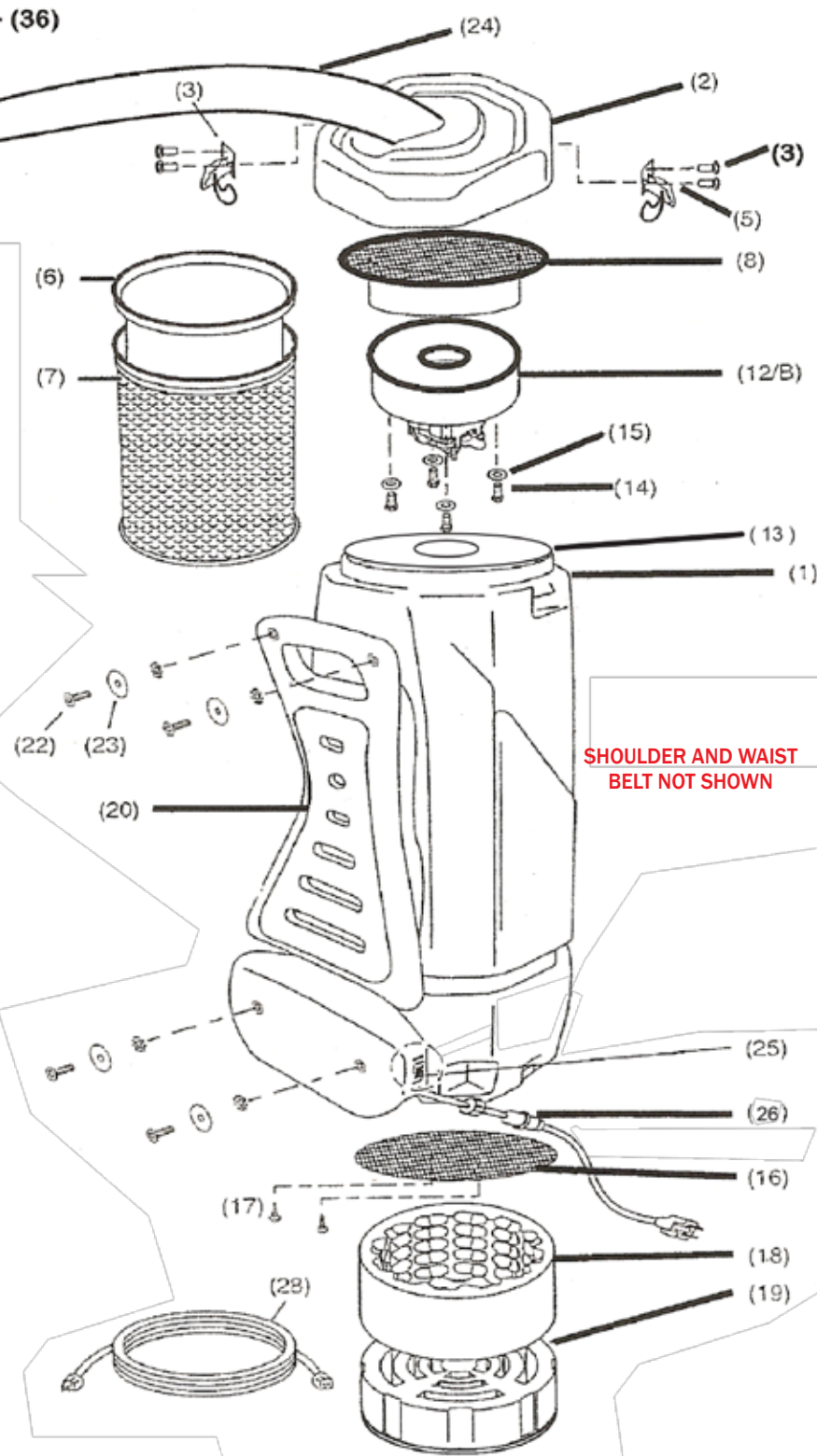
Side View



CENO GROUP • 12221 Carlsbad St., Houston, TX 77085 • 800-710-2366 • Fax: 713-551-8456 • sales@floorsanding.com

For easier and faster ordering, please verify your model by checking the above pictures.

ITEM	DESCRIPTION	PART #
1	BODY	VP801
2	LID	VP802
3	LID RIVET	VP804
5	LID LATCH	VP803
6	ECO GREEN FILTER BAGS	VP01011
6A	ECO HEPA FILTER BAGS	VP01011-HEPA
7	CLOTH BAG	VPC415L
8	STANDARD DOME FILTER	VP806
	HEPA DOME FILTER	VP826
12B	MOTOR W/ BLACK BRUSHES	VP809
	MOTOR W/ ORANGE BRUSHES	VP809-2
	MOTOR GASKET	VP828
	(NOT SHOWN)	
	MOTOR BRUSHES	VP-10-1333
	(BLACK - NOT SHOWN)	
	MOTOR BRUSHES	VP-10-1333-0
	(ORANGE - NOT SHOWN)	
13	MOTOR GASKET	VP829
14	MOTOR SCREWS	VP810
15	MOTOR WASHERS	VP811
16	MOTOR DEFLECTOR	VP812
17	MOTOR DEFLECTOR SCREWS	VP813
18	SOUND FILTER/BAND	VP814
19	DUAL CELL NOISE FILTER	VP815
20	CUSHION BACK PAD	VP816
	SHOULDER & WAIST BELT	
	(NOT SHOWN)	VP817
22	SHOULDER & WAIST BELT SCREWS	VP818
23	SHOULDER & WAIST BELT WASHERS	VP819
24	VACUUM HOSE - SMOOTH CORE 5 FT.	VP601051
25	ON-OFF SWITCH	VP820
26	POWER CORD/PIGTAIL AND NUT	VP821-C
28	50' ELECTRICAL CORD	VP824
36	1 1/2" SWIVEL HOSE CUFF	VP2511380-E



SHOULDER AND WAIST BELT NOT SHOWN

Switch to **HEPA ECO** Filtration

(Instead of Paper Bags)

Better Filtration Means a Cleaner Environment

Collects Mold, Mites, Pollen & Bacteria

HEPA H-13 / 99.97% @ .03 Micro Filtration

ECO Green Demand The Best

• Premium Filtration • Longer Equipment Life • Safer Environment



VOLUME DISCOUNTS

25-49 packs	5% Off
50-99 packs	10% Off
100-149 packs	15% Off
150-199 packs	20% Off
200+ packs	25% Off

Air Turbine NuvoBrush

No Electricity Needed!
The perfect companion for Backpack and Canister Vacs

Four soft wheels PVC blade
Double swivel neck

Stop throwing dirt around... PICK IT UP!

- Removes embedded dirt, sand, grit and fine hair
- Great for removing pet hair, dust mites and pollen (use HEPA filters for best results)
- Makes vacuuming easier, glides almost effortlessly
- Vacuum Powered Turbine driven - no motor or additional electricity
- Ideal for carpets, hardwood, marble & stone floors
- Flexible roller brush with durable trimming
- Automatic air adjustment
- Enclosed belt drive with centered driving gear
- Works great with any dry vacuum

NuVO Air Turbine Brush
• 11" width **VA539**
• ABS Polymer Cover and Base Plate
• 2 Year Warranty

Fits any vacuum 1 1/2" or 1 3/4" hoses
3 pc. Telescopic Wand (extends from 22" to 36") and 1.5" to 1.25" Stainless Steel Wand Included

NuVO Electric Power Brush

TURBO Your Backpack!

Backpack Vac Sold Separately

- Our most powerful attachment - Picks up fine dirt, sand and hair that others miss
- Connects to any Backpack Vac with a detachable lid
- 36", 2 pc. Stainless Steel Wand and Hose included
- Easy Grip Handle
- 2-Way Splitter Plug Included - Only one outlet needed!
- Ergonomic Design
- UL Listed
- 13" width
- 2 Year Warranty
- ABS Polymer Cover and Base Plate

VP6310600
Fits any vacuum 1 1/2" Hose

CENO GROUP • 12221 Carlsbad St., Houston, TX 77085 • 800-710-2366 • Fax: 713-551-8456 • sales@floorsanding.com