



Mighty Vac XL

VEMV100

Wheels

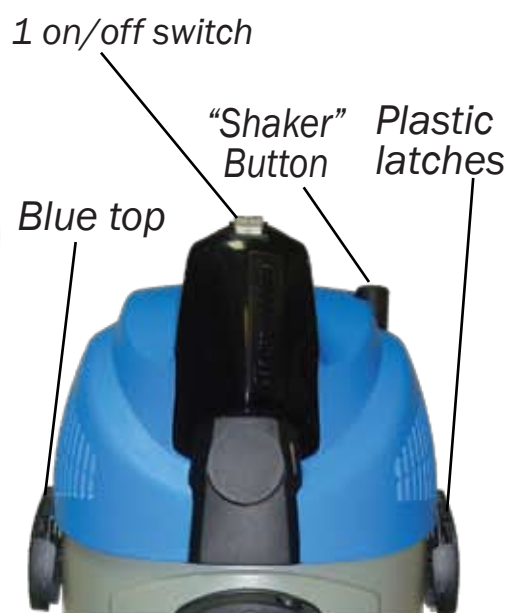


5 casters evenly spaced for equal weight distribution

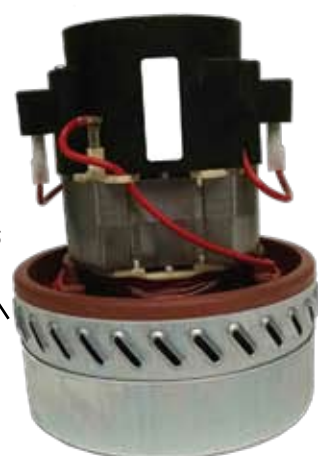


Rear View

Top



Motor

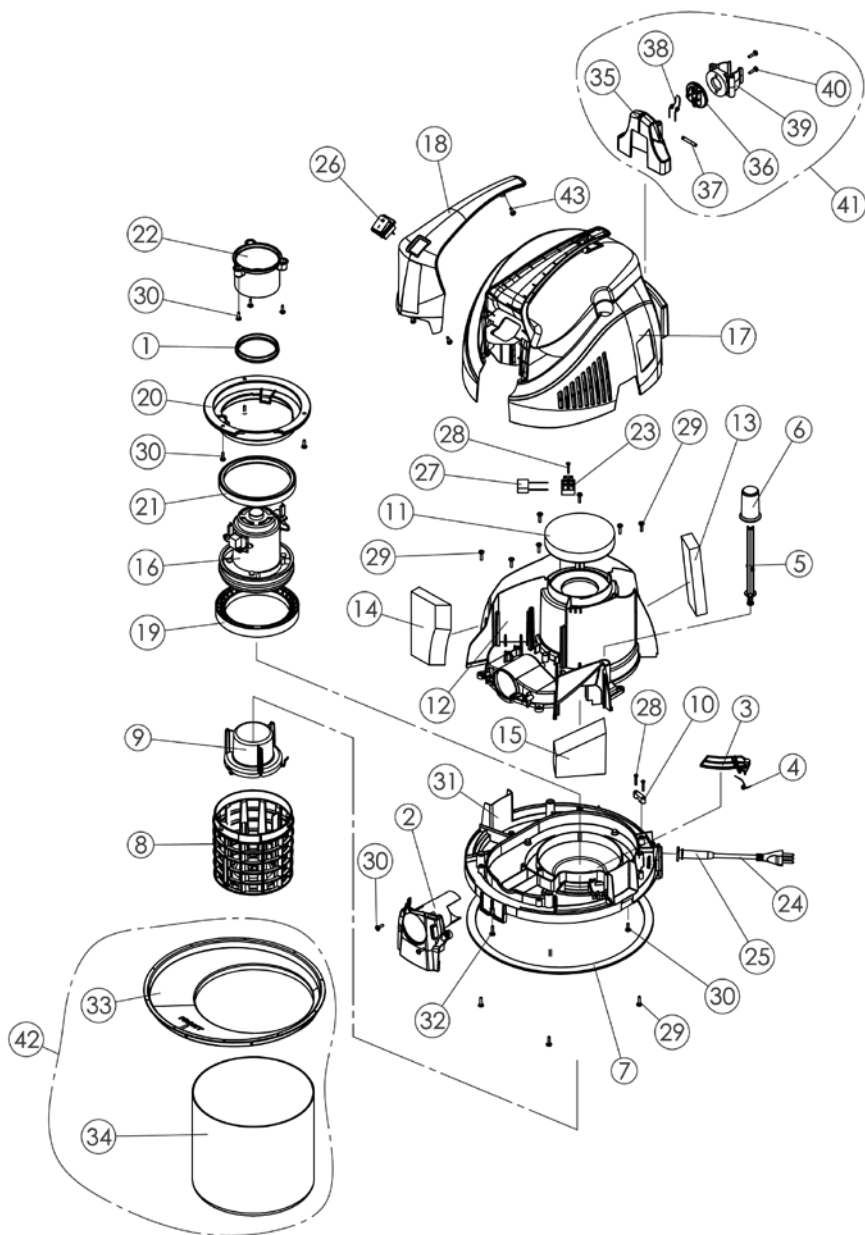


Motors will have ventilation slots shaped like either a diagonal line or a crescent/half-moon. It's important to know which one you have because they use different brushes.

CENO GROUP • 12221 Carlsbad St., Houston, TX 77085 • 800-710-2366 • Fax: 713-551-8456 • sales@floorsanding.com

For easier and faster ordering, please verify your model by checking the above pictures.

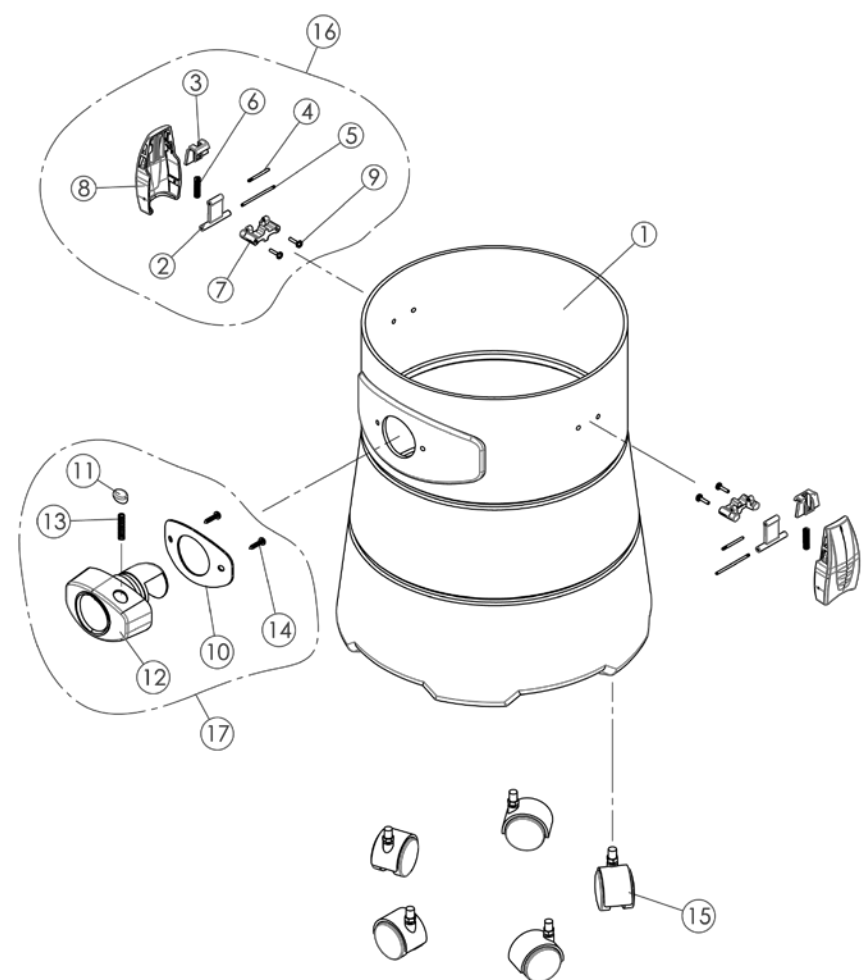
ITEM	DESCRIPTION	PART #
1	GASKET	VB300
2	CLOSED PIPE UNION	VB301
3	FILTER SHAKER	VB302
4	SPRING	VB303
5	ROD	VB304
6	PUSH BUTTON	VB305
7	GASKET	VB306
8	CAGE SHUT OFF	VB307
9	CAN SHUT OFF	VB308
10	CLAMP CORD	VB194
11	CAP	VB309
12	MOTOR CAP	VB310
13	SOUND PROOFING	VB311
14	SOUND PROOFING	VB312
15	SOUND PROOFING	VB313
16	SUCTION MOTOR	VB314
17	MOTOR CAP	VB315
18	PLASTIC HANDLE	VB316
19	GASKET	VB317
20	ADAPTER	VB318
21	GASKET	VB319
22	ADAPTER	VB320
23	TERMINAL BOARD	VB321
24	CABLE	VB322
25	CORD	VB191
26	SWITCH	VP462
27	TERMINAL BOARD	VB323
28	SCREW	VB203
29	SCREW	VB140
30	SCREW	VB103
31	CAP BASE	VB324
32	SCREW	VB325
33	FILTER RING	VB326
34	NYLON FILTER	VB327
35	SUPPORT	VB328
36	SUPPORT	VB329
37	PIN	VB330
38	SPRING	VB331
39	CLIP	VB332
40	SCREW	VB333
41	SUPPORT TUBE KIT	VB334
42	FILTER ASSEMBLY	VB335
43	SCREW	VB336



TANK ASSEMBLY PARTS

TANK ASSEMBLY PARTS

ITEM	DESCRIPTION	PART #
1	BIN	VB337
2	STEM	VB338
3	CURSOR	VB339
4	PIN	VB340
5	PIN	VB341
6	SPRING	VB182
7	SUPPORT	VB342
8	LEVER	VB343
9	SCREW	VB344
10	UNION GASKET	VB345
11	LEVER	VB346
12	UNION	VB347
13	SPRING	VB348
14	SCREW TAPPING	VB349
15	WHEEL	VP552
16	TANK LATCH	VB156
17	TANK FITTING	VP315



Paper Bags

VP970

5/pk



CENO GROUP • 12221 Carlsbad St., Houston, TX 77085 • 800-710-2366 • Fax: 713-551-8456 • sales@floorsanding.com